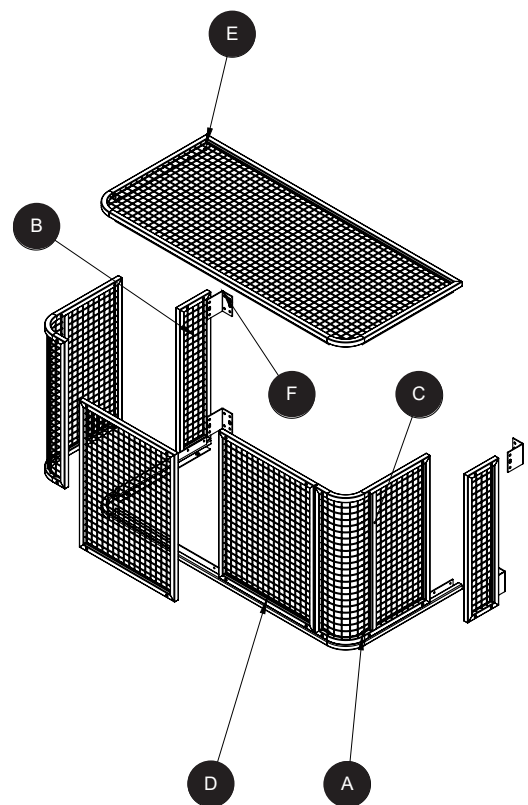
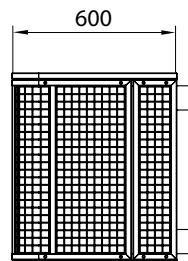
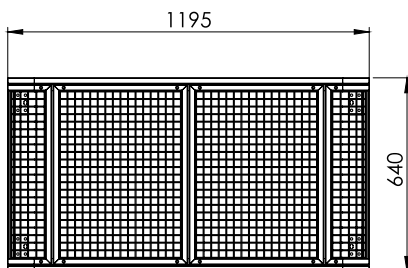
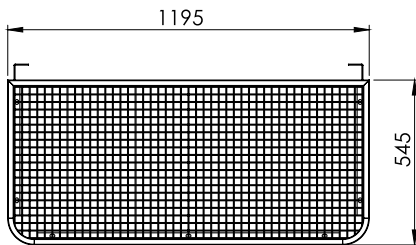


# ACA0600G Specifications



|                   |   |
|-------------------|---|
| Frame             | 20 mm x 20 mm x 1.6 mm tube, Butt Welded  |
| Mesh              | 25 mm x 25 mm x 3 mm Welded Mesh - Welded to Frame  |
| Cage Depth        | 600 mm deep OD - 580 mm deep ID   |
| Cage Width        | 1195 mm wide OD - 1155 mm wide ID   |
| Cage Height       | 640 mm high OD, 600 mm ID   |
| Mounting Brackets | 80 mm x 50 mm Mounting Brackets. Optional holes allow the cage to be mounted flush to the wall or with 25 mm or 50 mm clearance for pipes and conduits  |
| Cage Safety       | Front Corners are 90 mm radius to minimise personal injury  |
| Assembly Required | Units are made up of the following parts (see diagram)<br>A - Base Frame (1)<br>B - Side Panels (2)<br>C - Corner Panels (2)<br>D - Front Panels (2)<br>E - End Panel (1)<br>F - Brackets (4) |
| Service Access    | All panels (except sidepanels) are easily removable for full service access   |
| Assembly Fixings  | All Fixings supplied - M6 tamper proof Torx bolts, washers and tool   |
| Coating           | Two stage protection with Hot Dip Galvanised and Black Powder Coating   |



© 2024 Avantage Australia reserves the right to alter products and specifications without notice and does not accept responsibility for possible errors and omissions in published documentation.  
Date: 14/11/2024 Document: Avantage Airshield Cages ACA600G Spec Sheet Version Number: V1

T: 03 9989 5850 W: [avantageaustralia.com.au](http://avantageaustralia.com.au)  
E: [sales@avantageaustralia.com.au](mailto:sales@avantageaustralia.com.au)

