

Assembly Instructions

- ACL1845
- ACL3030
- ACL4545

Fixings Supplied:

M6 Wrench
x1

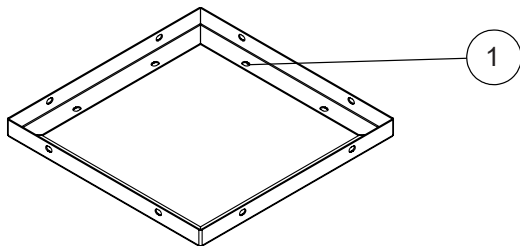


M6 x15mm (8)

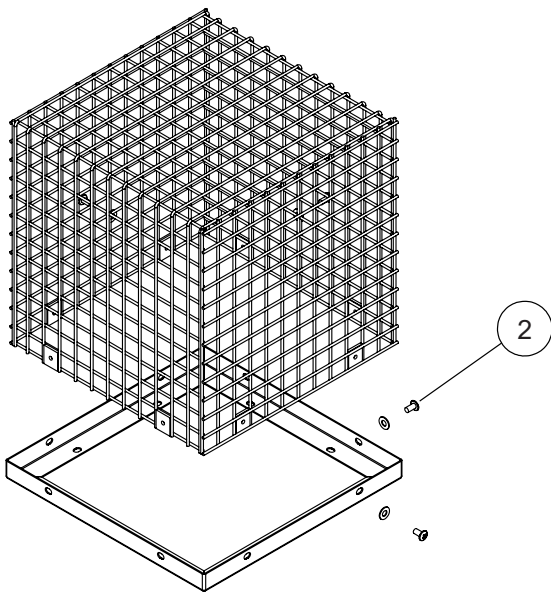


Use with flatwasher

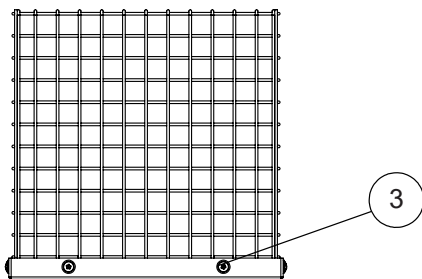
- Use M6 wrench to align all bolts.
- Be careful not to cross thread.
- Tighten all bolts when fully assembled.



1. Attach mounting frame (recommend minimum 4 fixings).



2. Fit protection cage in mounting frame. Align holes and secure with M6 bolts.



3. Tighten all bolts.