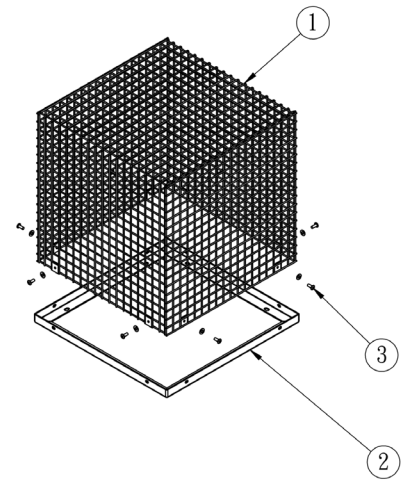
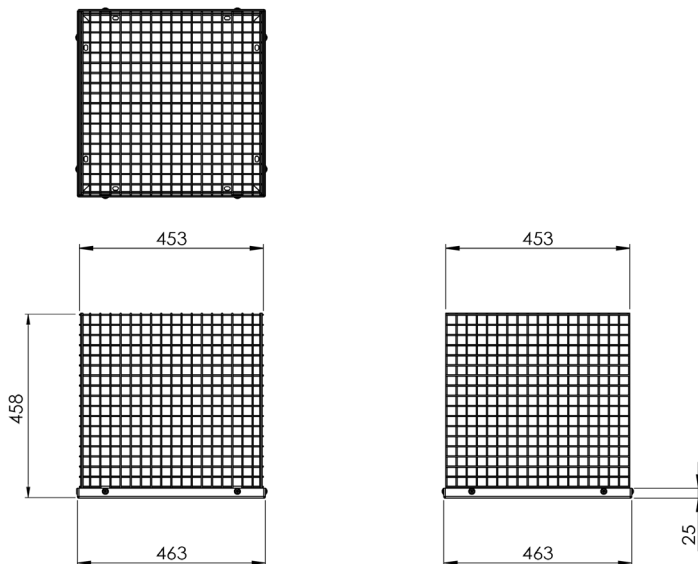


# ACL4545 Specifications



Parts	1. Welded Mesh Cage 2. Mounting Frame 3. Fixing bolts
Cage Length x Width	453 mm x 453 mm (OD)
Opening Size	447 mm x 447 mm (ID)
Cage Height	458 mm
Mesh	25 mm x 25 mm x 3 mm
Mounting Frame	463 mm x 463 mm (OD) X 3.0 mm Steel Angle 400 mm x 400 mm (ID)
Fixing Holes	14 mm x 9 mm oval holes To suit 8 mm fixings
Assembly Fixings	Supplied - M6 tamperproof Torx bolts, washers and tool
Coating	Two stage protection with Zinc Plating and Black Powdercoating



© 2023 Avantage Australia reserves the right to alter products and specifications without notice and does not accept responsibility for possible errors and omissions in published documentation. Date: 17/08/2023 Document: Avantage Airshield Cages ACL4545 Spec Sheet Version Number: V1

A: 74 Scanlon Drive, Epping VIC 3074  
T: 03 9989 5850 W: [avantageaustralia.com.au](http://avantageaustralia.com.au)  
E: [sales@avantageaustralia.com.au](mailto:sales@avantageaustralia.com.au)

